



# BONAIRE WOOD SWIVEL STOOL

Date: 05-22-08

Model # 4964-826 Counter Stool

Model # 4964-830 Bar Stool

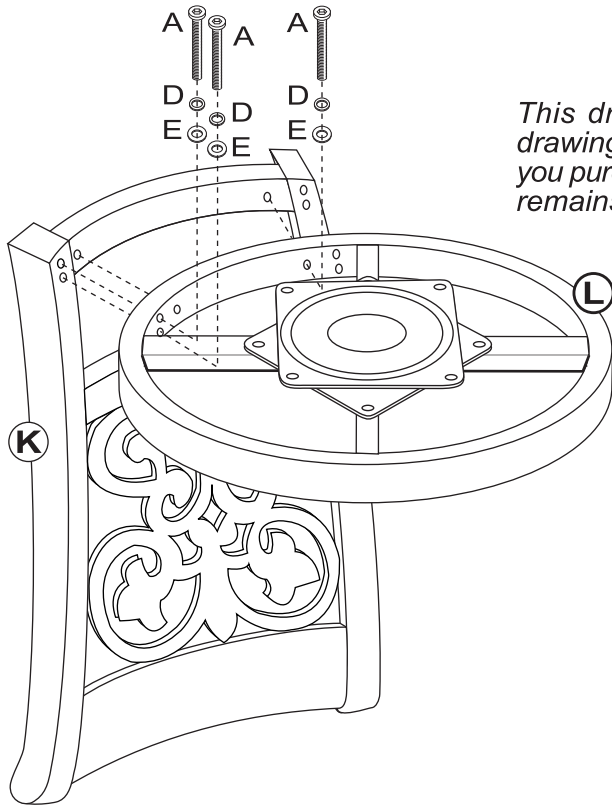
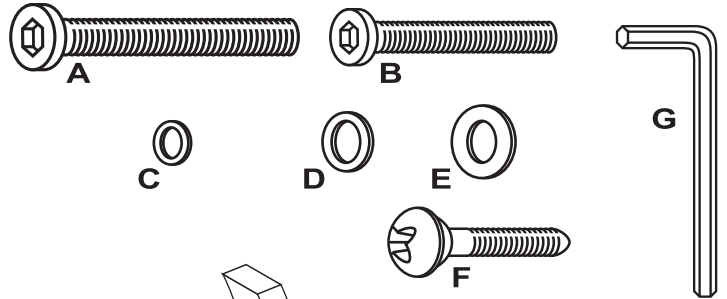
Examine all packaging material for small parts that may have come loose during shipment. Periodic checks are recommended to insure that all components are in proper position, tight and free from damage. Keep this assembly instruction for future reference. Adult assembly is required. Customer Service Phone Number: 502-562-0000

### HARDWARE LIST

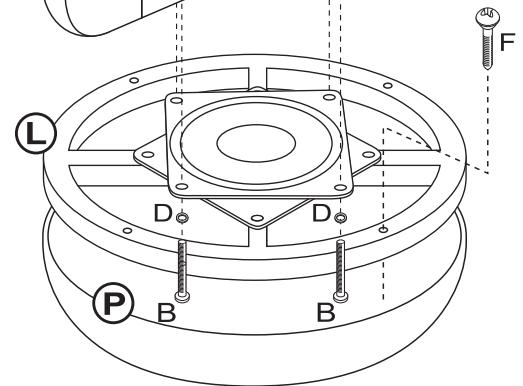
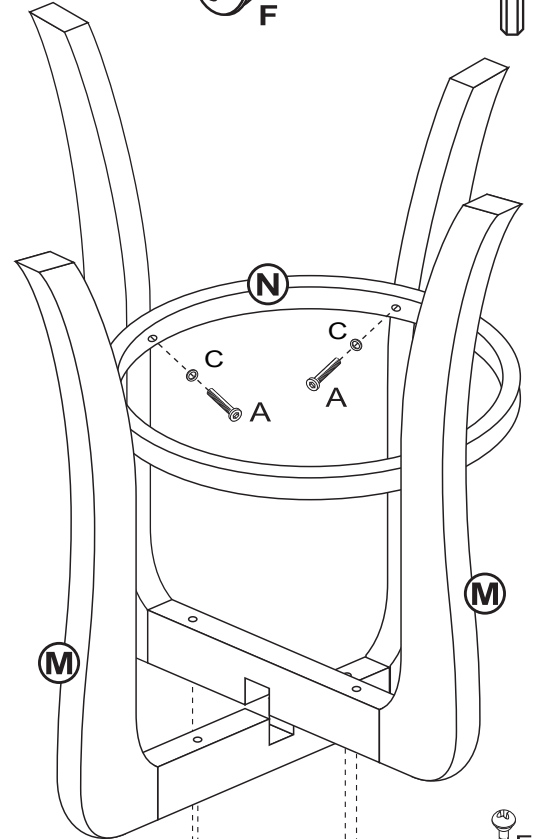
- A (10) Long Allen Bolts
- B (4) Medium Allen Bolts
- C (4) Small Spring Washers
- D (10) Large Spring Washers
- E (6) Flat Washers
- F (4) Wood Screws
- G (1) Small Allen Wrench

### PARTS LIST

- K (1) Stool Back
- L (1) Seat Base
- M (2) Leg Panels
- N (1) Support Ring
- P (1) Seat Cushion



*This drawing is a generic drawing of the original item you purchased. All assembly remains the same.*



### STEP 1

Begin the assembly by attaching the Seat Base (L) to the Stool Back (K). Once in place, secure each arm of the Stool Back using 3 Long Allen Bolts (A) 3 Large Spring Washer (D) & 3 Flat Washer (E) per each side. Tighten all bolts using Allen Wrenches (G).

### STEP 2

Attach each Leg Panel (M) together by sliding each into place. During assembly, secure the Support Ring (N) to the inside of each leg using 1 Long Allen Bolts (A) & 1 Spring Washer (C) per each leg. Tighten all bolts.

### STEP 3

Attach the top Leg Panel (M) to the Swivel Metal Plate using 4 Medium Allen Bolts (B), 4 Spring Washers (D) to secure in place. Tighten all bolts.

### STEP 4

Finally, attach the Seat Cushion (P) to the top of the Seat Base (L) using 4 Wood Screws (F) from the bottom. Only tighten screws using a phillips head screwdriver (not included). The assembly is now complete.

**CARE & MAINTENANCE:** The touch of a soft cloth is all the maintenance the finish will ever need. Please do not use harsh or abrasive cleaners for polishing, as they may cause damage to the finish. Periodic checks are recommended to make sure that all bolts, screws and nuts are securely tightened.